

# GT PUSH, 2 INSULATED TANK, ELECTRONICAL CONTROL



**Ref: 562946  
(GT2P)**

Frozen yogurt and soft serve machine, with n. 2x5-litres insulated bowls I-Tank, and refrigerant gas R290

## General Features

GT PUSH is a compact, multi-purpose unit, that dispenses soft serve, cold creams, sherbets, frozen yogurt and granitas.

Elegant design and compact dimensions combined with the excellent price-quality ratio make GT PUSH an ideal tool for all Ho.Re.Ca operators.

The GT PUSH 2 is equipped with n. 2 I-Tank insulated bowls, 5 litres each. The I-Tank insulated bows reduces the impact of the external temperature on the product, improving the cooling efficiency of the equipment, and saving energy and money.

The intuitive front keyboard allows you to adjust the temperature, and the PUSH button increases the motor speed for a quicker dispensing of the product.

Tanks work independently.

GT PUSH works with water- or milk-based powder products or with ready-to-use mixes to pour directly into the bowls, and guarantees high overrun which means a high return on investment.

GT PUSH comes in black or white plastics with stainless steel finish.

# GT PUSH, 2 INSULATED TANK, ELECTRONICAL CONTROL

## Specifications

- Safety stop system.
- Works with water or milk/based dried products or with brik mixtures ready to be poured into the bowl.
- The insulated tank guarantees higher cooling efficiency and lower effect of the external temperature on product's preparation and maintenance time reducing condense and draining; it is the best solution in hot climate conditions.
- Compact counter machine, dispensing smooth soft ice-cream, cold cream, sorbet and frozen yogurt; it can be used also for slush.
- The ITANK™ Technology prevents ice accumulation on the outer side of the bowl, reducing condensation and increasing the cooling power of the machine.
- LED-based electronic keypad.
- Easy to use thanks to the adjustable push button control panel: when pressing it the rotation speed raises and the product is pushed out easily.
- Lockable lid
- High overrun
- Tanks work independently.

## Construction

- The patented I-Tank insulated bowl reduces the impact of ambient temperature on the product, improving its cooling efficiency and guaranteeing energy and cost savings.

# GT PUSH, 2 INSULATED TANK, ELECTRONICAL CONTROL

## Electric

Supply voltage:	220-240 V / 1 ph / 50 Hz
Electrical power max.:	0.63 kW
Current consumption:	3.4 Amps
Plug type:	CE-SCHUKO

## Key Information:

Number of bowls:	2
Bowl's capacity:	5 lt
Control board:	Mechanical
Dimensions, Width:	450 mm
Dimensions, Depth:	435 mm
Dimensions, Height:	650 mm
Net weight:	46 kg

## Refrigeration Data

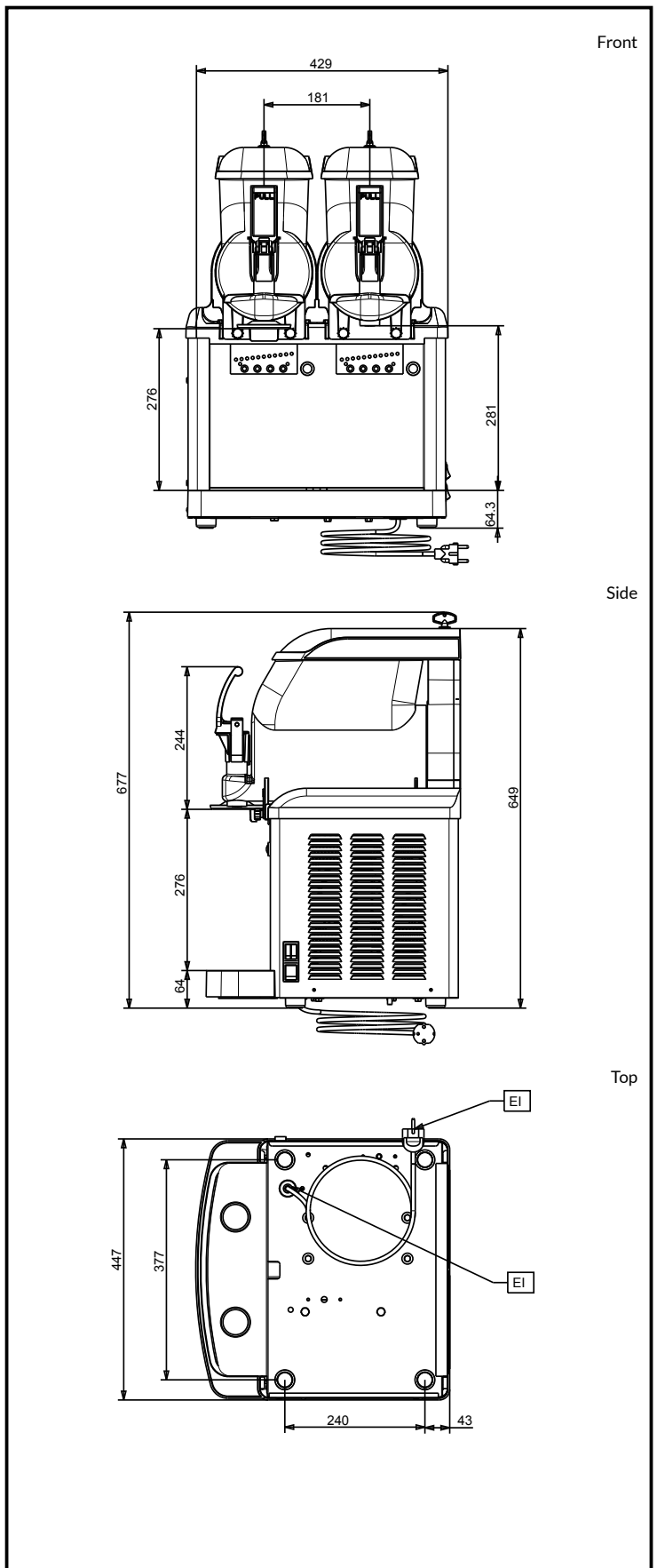
Refrigerant gas:	R290
------------------	------

## Certifications



The company reserves the right to make modifications to the products without prior notice. All information correct at time of printing.

2026.03.31



**CRATHCO**

www.crathco.drink-systems.com  
infocrathco@electroluxprofessional.com